

DATE: December 27, 2006

4650604

SUBJECT: Full Depth Concrete Shoulders on
Interstate/Expressway Highways

TO: District Executives _____

FROM: M.G. Patel, P.E.
Chief Engineer
Highway Administration

M.G. Patel

This Strike-Off- Letter (SOL) sets policy on the use of full depth shoulders on all Interstate/expressway highways and supersedes SOL 430-97-89 *Full Depth Shoulders: Interstates and Expressways Reconstruction Projects* issued November 5, 1997. This SOL is effective for all new construction and reconstruction projects using plain cement concrete pavement with a PS&E date after December 31, 2006.

Full Depth Cement Concrete Shoulders must be considered where a high probability exists for incident management activity on high volume corridors and or future work zone traffic control needs, as deemed necessary by the District. For urban interstates/expressways, where the need is identified, use dowelled shoulders as shown in attached drawing. However, full depth shoulders on rural interstates/expressways will not require use of dowel bars. Where applicable, use the following specifications and standards:

- For dowelled shoulders, use Pub. 408 Section 501 or 506 – Reinforced or Plain Cement Concrete Pavements.
- For non-dowelled shoulders, use Pub. 408 Section 658 – Concrete Shoulders.
- Use Pub. 72M RC-25M.

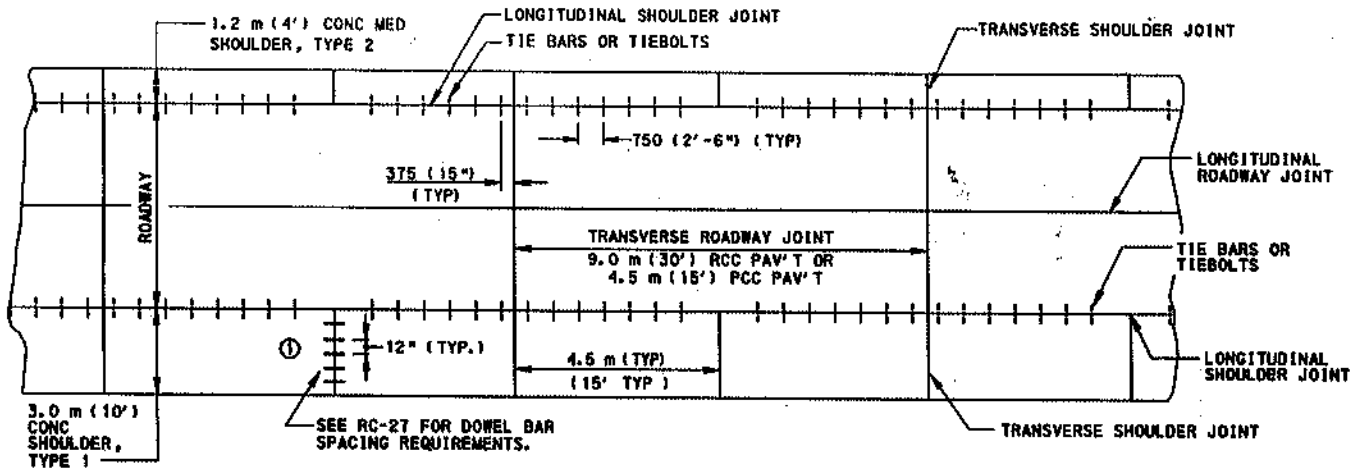
If you have any questions, please contact Dan Dawood, P.E., Bureau of Maintenance and Operations, at ddawood@state.pa.us or (717) 787-4246.

Attachment

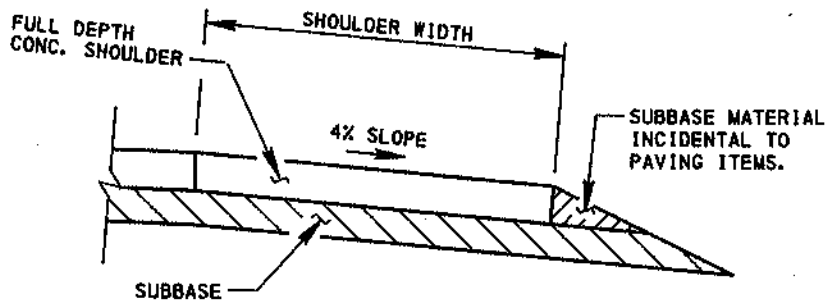
4650/DAD 7-4246

cc: R.H.H. Reading File
M.G. Patel, P.E., Chief Engineer, CKB 8th
Bureau Directors, Highway Administration
Division Chiefs, BOMO
Staff, Pavement Design and Analysis Section
District PME/PM
D.A. Dawood, P.E., CKB 6th, BOMO

FULL DEPTH CONCRETE SHOULDER



CONCRETE SHOULDERS ADJACENT TO RCC PAVEMENT AND PCC PAVEMENT FOR INTERSTATE AND OTHER LIMITED ACCESS FREEWAYS, ARTERIALS AND RAMP



PARTIAL SECTION

* NOTE

1. FOR USE ON FULL DEPTH CONCRETE SHOULDERS. SHOULDER PAY QUANTITIES ARE INCLUDED IN MAINLINE ITEMS FOR SECTION 501 OR 506 OF PUB. 408 PAVING QUANTITIES.

*NOTE WILL BE PLACED IN STANDARDS ACCORDINGLY
WITH APPROPRIATE NUMBER.